

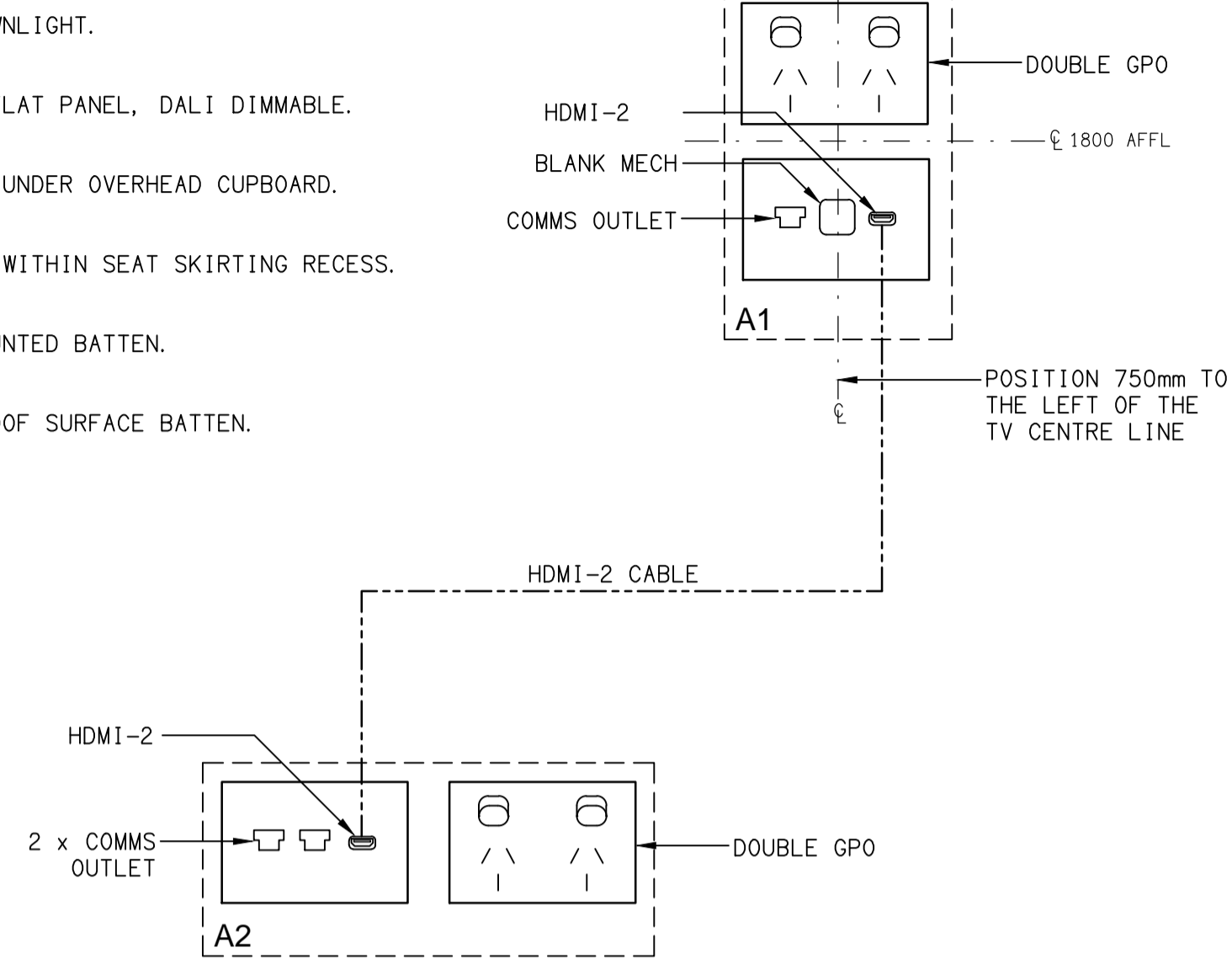
**LEGEND**

- ELECTRICAL SERVICES SWITCHBOARD.
- SWITCHBOARD / CONTROL PANEL NOT PROVIDED AS PART OF THE ELECTRICAL SUBCONTRACT.
- SINGLE POWER OUTLET.
- DOUBLE POWER OUTLET.
- DOUBLE POWER OUTLET C/W USB-A AND USB-C CHARGERS.
- POWER OUTLET PROVIDED WITH STAINLESS STEEL FACEPLATE.
- SINGLE POWER OUTLET MOUNTED WITHIN DRINK FOUNTAIN HOUSING.
- SPECIAL PURPOSE POWER OUTLET.
- CABLE ACCESS, TYPE AS NOTED.
- HAND DRYER CONNECTION.
- SINGLE PHASE ISOLATOR.
- THREE PHASE ISOLATOR.
- LIGHTING PRESENCE DETECTOR SWITCH.
- LIGHTING DOOR SWITCH.
- ONE-WAY LIGHT SWITCH.
- TWO-WAY LIGHT SWITCH.
- DALI DIMMER / LIGHT SWITCH.
- CIRCUIT LINE.
- SWITCH LINE.
- POWER CIRCUIT DESIGNATION. DENOTES DB AND CIRCUIT.
- ELECTRICAL EQUIPMENT AS NOTED.
- RJ45 COMMUNICATIONS OUTLET.
- OUTLET AS NOTED MOUNTED WITHIN RECESS KIT.
- SUPPLY AUTHORITY LV MAXIMUM DEMAND TARIFF METER.
- MULTI-FUNCTION METER.
- REFER TO DETAIL NOTED FOR THE AREA SHOWN HATCHED. ADDITIONAL OUTLETS & FITTINGS MAY BE SHOWN ON DETAIL.
- E1: RECESSED GENERAL LED EMERGENCY LIGHT.
- E2: SURFACE GENERAL LED EMERGENCY LIGHT.
- EX: EMERGENCY LED EXIT LIGHT.
- EX WP: EMERGENCY LED WEATHERPROOF EXIT LIGHT.
- Lx: LIGHT FITTING C/W NON-MAINTAINED EMERGENCY BATTERY PACK. TYPE AS NOTED.
- L1: 600 x 600 RECESSED PLASTERBOARD FLAT PANEL.
- L2: 1200 x 300 RECESSED PLASTERBOARD FLAT PANEL.
- L3: RECESSED CIRCULATION DOWNLIGHT.
- L4: 600 LONG SURFACE BATTEN C/W INTEGRAL SENSOR.
- L5: 1200 LONG WEATHERPROOF SURFACE BATTEN.
- L6: SURFACE CIRCULATION BUNKER.
- L7: 600 x 600 RECESSED PLASTERBOARD FLAT PANEL, LOW OUTPUT.
- L8: SURFACE DALI DIMMABLE DOWNLIGHT.

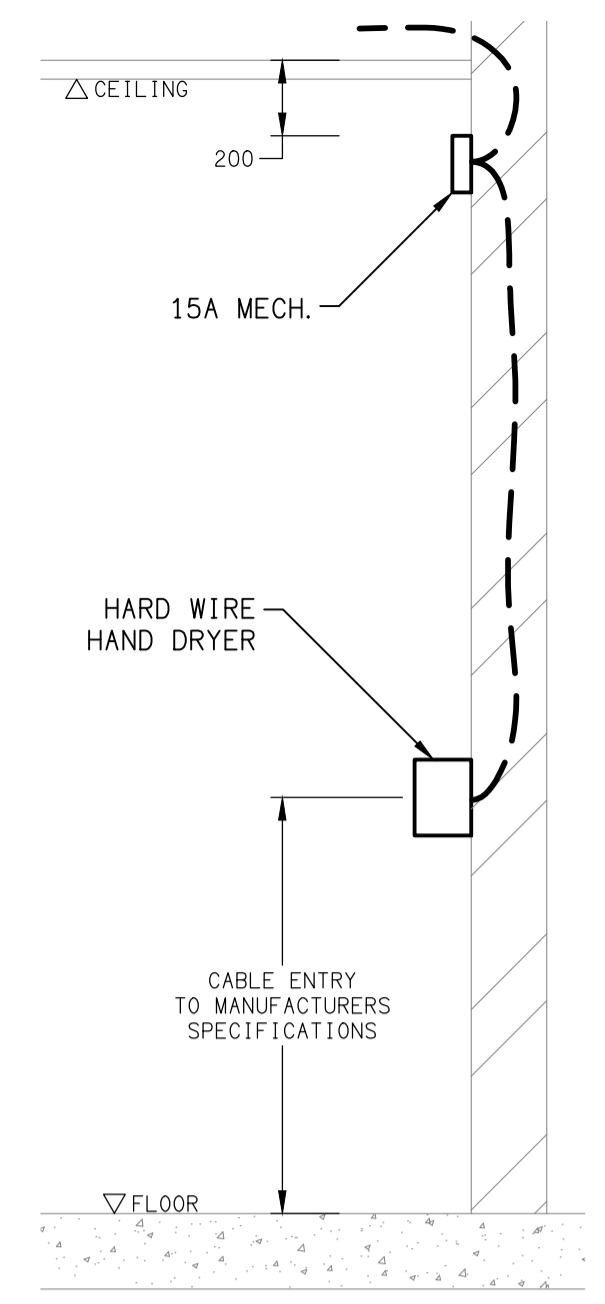
**LEGEND**

- L9: RECESSED AMENITY DOWNLIGHT.
- L10: RECESSED DOWNLIGHT.
- L11: RECESSED CANTEEN DOWNLIGHT.
- L12: 600 x 600 RECESSED FLAT PANEL, DALI DIMMABLE.
- L13: STRIP LIGHT MOUNTED UNDER OVERHEAD CUPBOARD.
- L14: STRIP LIGHT MOUNTED WITHIN SEAT SKIRTING RECESS.
- L15: 600 LONG SURFACE MOUNTED BATTEN.
- L16: 1200 LONG WEATHERPROOF SURFACE BATTEN.

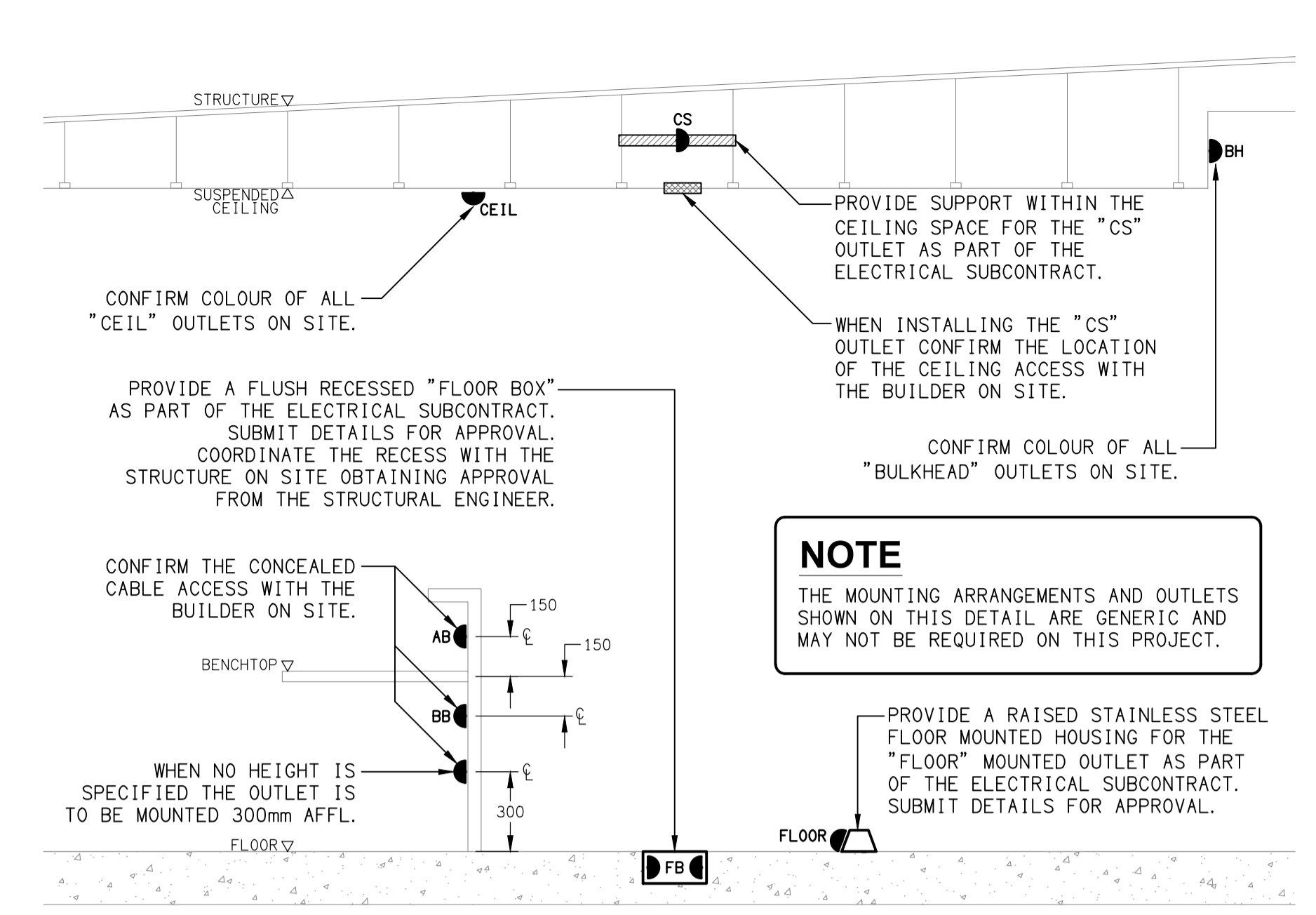
**NOTE:**  
ALL FACEPLATES WITHIN A1 AND A2 ARE TO BE BLACK IN COLOUR.



**SCHEMATIC**  
A1 & A2 FACEPLATES  
NOT TO SCALE



**DETAIL**  
HAND DRYER CONNECTION  
NOT TO SCALE

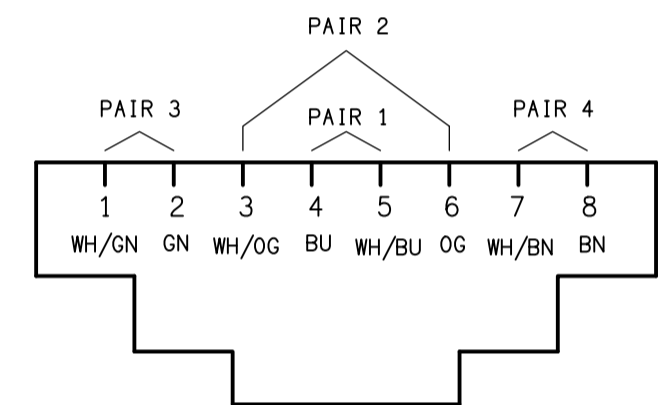


**DETAIL**  
TYPICAL OUTLET MOUNTINGS  
NOT TO SCALE

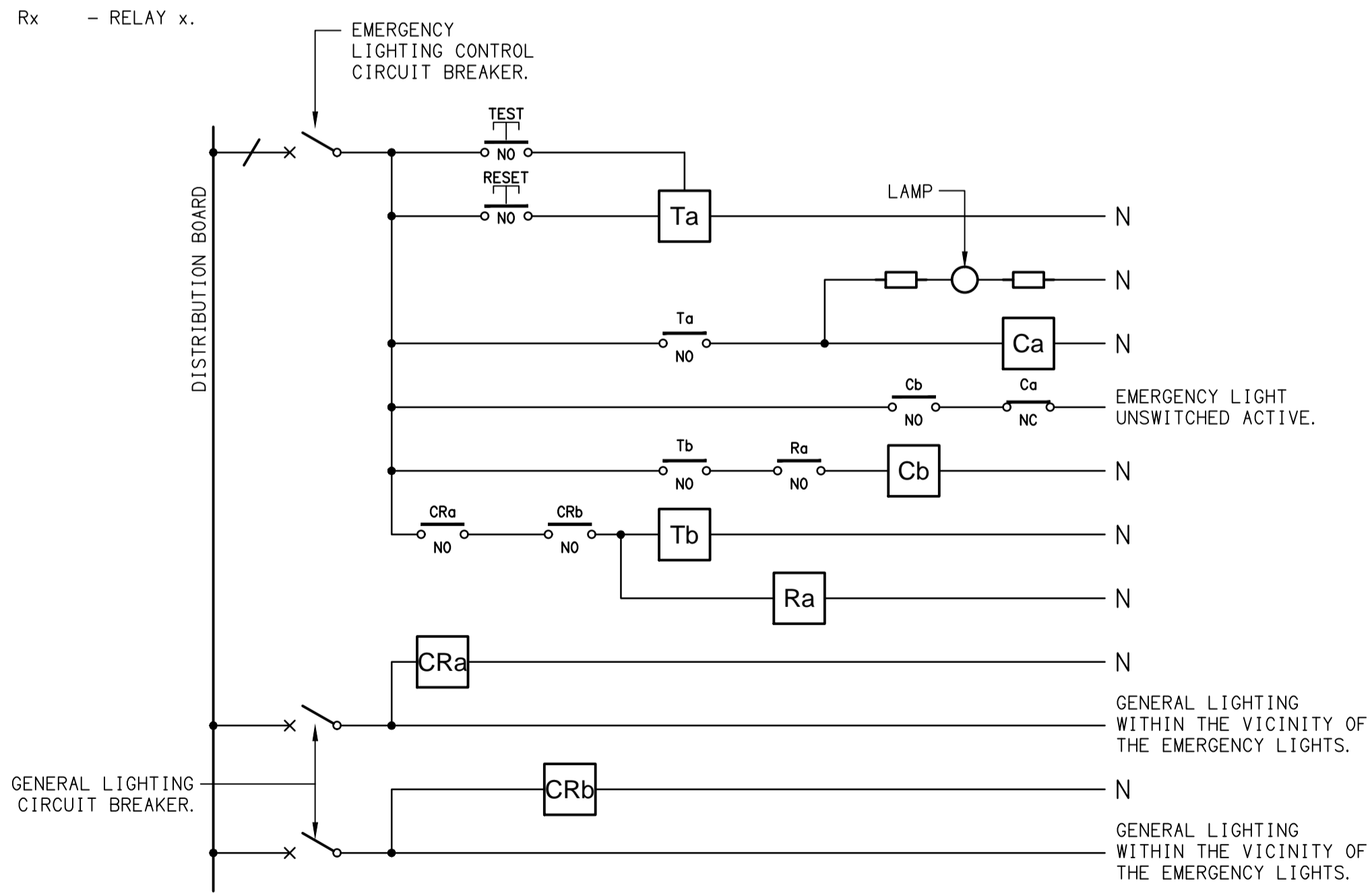
**NOTE**  
THE MOUNTING ARRANGEMENTS AND OUTLETS SHOWN ON THIS DETAIL ARE GENERIC AND MAY NOT BE REQUIRED ON THIS PROJECT.

**EQUIPMENT:**

- TEST - TEST PUSH BUTTON MOUNTED ON THE DISTRIBUTION BOARD ESCUTCHEON.
- RESET - RESET PUSH BUTTON MOUNTED ON THE DISTRIBUTION BOARD ESCUTCHEON.
- LAMP - AMBER TEST INDICATING LAMP MOUNTED ON THE DISTRIBUTION BOARD ESCUTCHEON.
- Ta - ADJUSTABLE 0-3 HOUR TIMED RELAY.
- Tb - 15 MINUTE RUN-ON TIMER TO OPERATE UPON THE RETURN OF MAINS POWER.
- Cx - CONTACTOR x.
- CRx - CONTROL RELAY x.
- Rx - RELAY x.



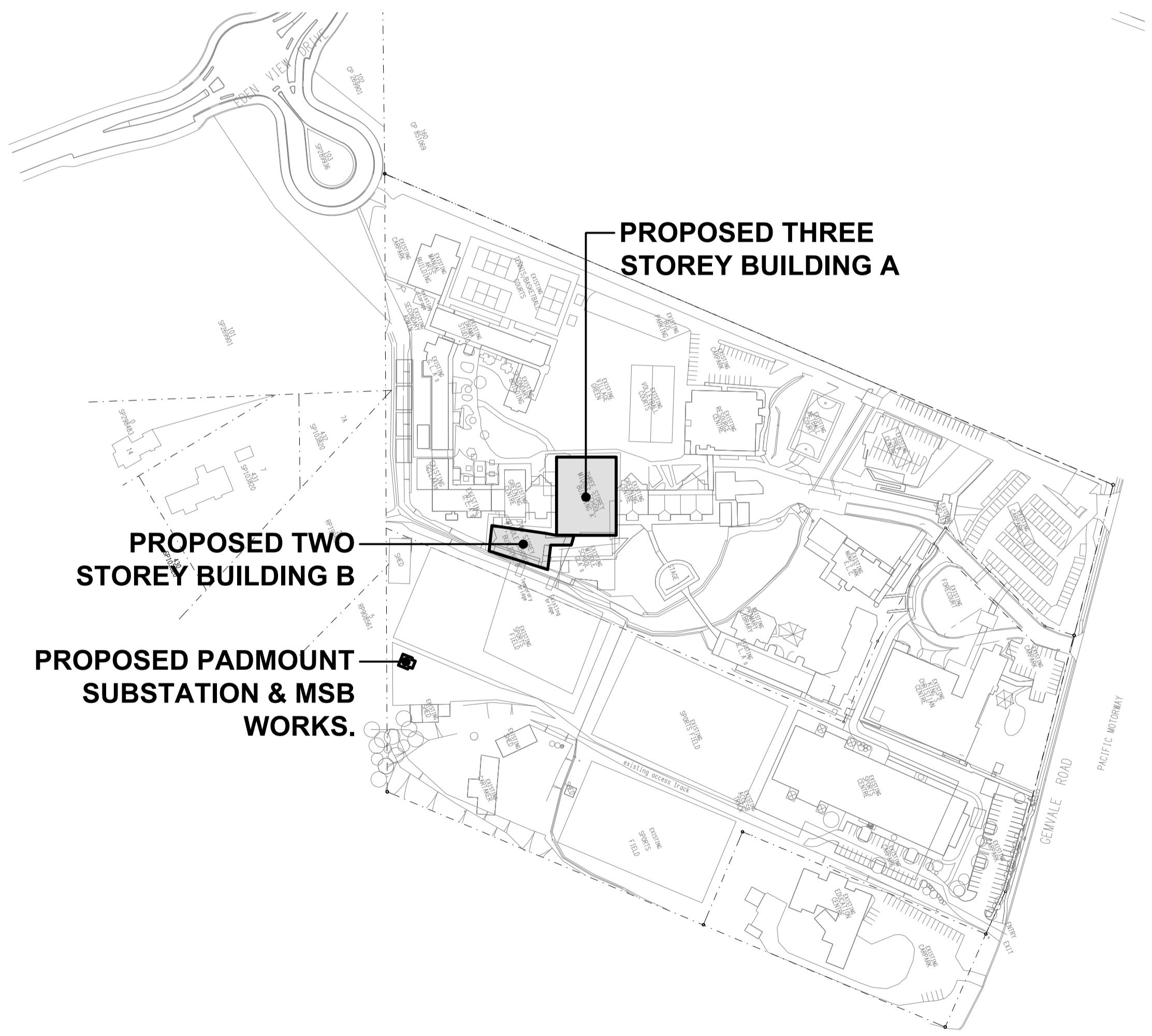
**SCHEMATIC**  
RJ45 PINOUT CONFIGURATION  
NOT TO SCALE



**NOTES**

1. THE EMERGENCY LIGHT UNSWITCHED ACTIVE / GENERAL LIGHTING SWITCHED ACTIVE CIRCUIT ARRANGEMENT AND CONTROL IS TYPICAL FOR ALL CIRCUITS SUPPLYING EMERGENCY LIGHTS.
2. PROVIDE ADDITIONAL CONTROL RELAYS (CRx) CONFIGURED AS PER CRa AND CRb FOR ALL ADDITIONAL LIGHTING CIRCUITS THAT SUPPLY LIGHTS IN THE VICINITY OF THE EMERGENCY LIGHTS.

**SCHEMATIC**  
EMERGENCY LIGHTING  
NOT TO SCALE



**SITE PLAN**  
BUILDINGS A & B WORKS  
SCALE 1:2000

<p>ELECTRICAL DESIGN GROUP BRISBANE PTY LTD ACN 092 710 793</p> <p>TRADING AS: ELECTRICAL DESIGN GROUP</p>	<p>THE COPYRIGHT OF THIS DRAWING REMAINS THE PROPERTY OF THE ELECTRICAL DESIGN GROUP.</p> <p>USE FIGURED DIMENSIONS IN PREFERENCE TO SCALE.</p> <p>ALL DIMENSIONS TO BE VERIFIED ONSITE.</p>	<p><b>ELECTRICAL DESIGN GROUP</b> ELECTRICAL BUILDING SERVICES CONSULTANTS BRISBANE GOLD COAST</p> <p>P.O. Box 15, Sherwood Q.4075 Phone: (07) 3278 4375 Email: brisbane@edg.net.au Web: www.edg.net.au</p>	<p>PROJECT: <b>KINGS CHRISTIAN COLLEGE - REEDY CREEK GLAs &amp; STUDENT SERVICES KCC49</b></p> <p>68 GEMVALE ROAD, REEDY CREEK, QUEENSLAND</p>	<table border="1" style="width: 100%; border-collapse: collapse;"> <tr> <td style="font-size: 8px;">D</td> <td style="font-size: 8px;">CONSTRUCTION</td> <td style="font-size: 8px;">24/09/2024</td> </tr> <tr> <td style="font-size: 8px;">REV.</td> <td style="font-size: 8px;">DESCRIPTION:</td> <td style="font-size: 8px;">DATE:</td> </tr> <tr> <td colspan="3" style="font-size: 8px;">DRAWING: <b>ELECTRICAL SERVICES LEGEND &amp; DETAILS</b></td> </tr> <tr> <td style="font-size: 8px;">SCALE: NOT TO SCALE AT A1</td> <td style="font-size: 8px;">PROJECT NO: <b>C2717a</b></td> <td style="font-size: 8px;">DRAWING NO: <b>E01</b></td> </tr> <tr> <td colspan="2" style="font-size: 8px;">REVISION: <b>D</b></td> <td></td> </tr> </table>	D	CONSTRUCTION	24/09/2024	REV.	DESCRIPTION:	DATE:	DRAWING: <b>ELECTRICAL SERVICES LEGEND &amp; DETAILS</b>			SCALE: NOT TO SCALE AT A1	PROJECT NO: <b>C2717a</b>	DRAWING NO: <b>E01</b>	REVISION: <b>D</b>		
D	CONSTRUCTION	24/09/2024																	
REV.	DESCRIPTION:	DATE:																	
DRAWING: <b>ELECTRICAL SERVICES LEGEND &amp; DETAILS</b>																			
SCALE: NOT TO SCALE AT A1	PROJECT NO: <b>C2717a</b>	DRAWING NO: <b>E01</b>																	
REVISION: <b>D</b>																			